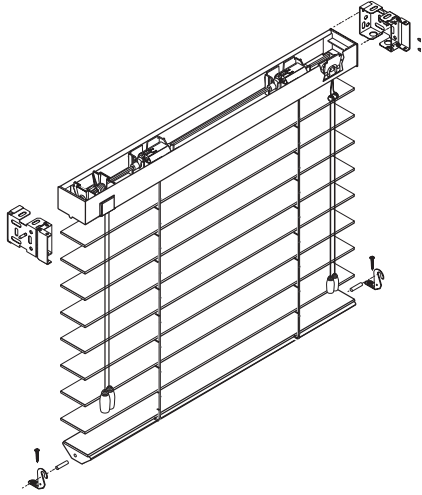


DATA SHEET

GRABER® TRADITIONS® 2" WOOD BLINDS

Product Features



- Slats exclusively of North American hardwood
- SureClose™ headrail system
- Trapezoid shape bottomrail
- NoHoles™ privacy option
- Fabric tape option
- 1" or 2³/₈" slat option
- 2¹/₂" shutter-style slat option
- Cord tilt standard
- Wand tilt option
- Wood tassels
- Motorized option - tilt only
- Lifetime warranty

Product Specifications

SureClose™ Headrail shall be 1⁵/₈" high x 2¹/₄" wide x .022" thick U-shaped, steel with ¹/₈" light-blocking lip on the bottom center line. The steel finishing process includes phosphate treatment for corrosion resistance, a chrome-free sealer, a low HAP urethane primer and a topcoat with low HAP, polyester-baked enamel.

Valance shall be lineal grained, smooth-sanded 100% North American Basswood. Valance choices include Classic, Signature, Legacy, and Symphony.

Cord Tilter shall be a snap-in component incorporating a worm and pulley of low-friction thermoplastic and a nylon gear. Tilt cords shall be secured to pulley and treated with wood tassels at tilt end. Cord tilter is standard.

Tilt rod shall be electro-zinc coated solid steel measuring ¹/₄" square.

Cord lock shall be of a snap-in design incorporating a floating, shaft-type locking pin in a die-cast housing and shall incorporate a crash-proof safety feature that will lock blind automatically upon release of cord.

Cradles shall be made of low-friction polypropylene with metal lift cord rollers.

Drums shall be made of high strength thermoplastic, which securely anchors braided ladder or fabric tapes.

Braided ladder shall be made of 100% polyester yarn, incorporating two extra strength rungs per ladder for slat support. Standard ladder spacing shall be 44mm.

Installation brackets shall be a universal style with hinged front cover phosphate-treated steel with urethane primer and polyester-baked enamel finish to match headrail.

Slats shall be made from North American hardwood and are resistant to warping. Slats shall be 2" wide x ¹/₈" thick.

Bottomrail shall be ⁵/₈" high x 2" wide wood in a trapezoid shape to improve closure and shall coordinate with slats.

Cordless lift option uses 2" x 2 ¹/₄" steel headrail with wand tilt only. Only available for 2" blinds.

Options:

- 1" slat
- 2³/₈" slat
- 2¹/₂" shutter-style slat
- NoHoles™ privacy slat
- Wand tilt
- Fabric tapes 1¹/₂" or 1"
- Antique brass tassels
- Ring pull
- Ring tilt
- Extension brackets
- Hold-down brackets
- Cut-outs
- Motorized - tilt only