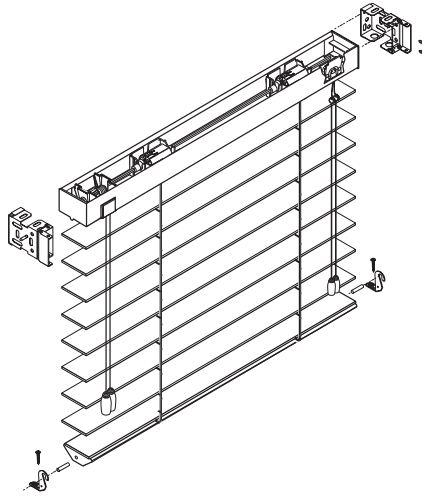


DATA SHEET

GRABER® TRADITIONS® 1" WOOD BLINDS

Product Features



- Slats exclusively of North American hardwood
- Wand tilt
- Wood tassels
- Lifetime warranty

Product Specifications

Headrail shall be 1" high x 1-1/2" wide x .025" thick U-shaped steel. The steel finishing process includes phosphate treatment for corrosion resistance, a chrome-free sealer, a low HAP urethane primer and a topcoat of low HAP, polyester-baked enamel.

Tilt wand shall be of wood finished to coordinate with the slats. Wands over 48" will be made of clear plastic.

Tilt rod shall be electro-zinc coated solid steel measuring 1/4" square.

Cord lock shall be of a snap-in design incorporating a stainless steel wear guard over which cords pass. A floating, shaft-locking pin will lock blind at any position and shall be crash proof. End of lift cords shall be treated with wood tassels.

Drums and cradles shall be low-friction thermoplastic and provided for each ladder.

Installation brackets shall be a rivet-hinged front cover phosphate-treated steel with urethane primer and polyester baked enamel finish to match headrail.

Braided ladder shall be made of 100% polyester yarn, incorporating two extra strength rungs per ladder for slat support. Standard ladder spacing shall be 21.5mm.

Slats shall be 1" wide and made from North American hardwood and are resistant to warping.

Bottomrail shall be 5/8" high x 1" wide wood and finished to coordinate with slats.

Options:

- Ring pull
- Ring tilt
- Extension brackets
- Hold-down brackets
- Cut-outs