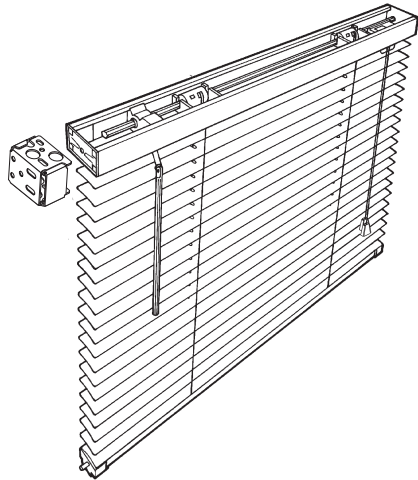


DATA SHEET

BALI® CLASSICS™ ALUMINUM BLINDS

Product Features



- 1" x 1½" steel headrail
- Anti-static performance to repel dust
- Low HAP, low VOC paint process
- Disengaging clutch
- Crash-proof cord lock
- Enclosed bottomrail
- .006" or .008" slat option
- Perforated slat option
- Specialty shapes option
- GREENGUARD Gold Certified
- Limited Lifetime Warranty



Product Specifications

Headrail shall be 1" high x 1½" wide x .025" thick U-shaped steel. The steel finishing process includes phosphate treatment for corrosion resistance, a chrome-free sealer, a low HAP urethane primer, and a topcoat of low HAP polyester-baked enamel.

Tilter shall be made of injection-molded thermoplastics for smooth, low-friction operation and will incorporate a clutch mechanism to prevent damage due to over-tilting.

Tilt rod shall be electro-zinc coated solid steel measuring ¼" square.

Tilt wand shall be clear polycarbonate with a hexagonal cross section measuring approximately ¼" diameter, attached to the tilter shaft with a spring clip for easy removal.

Cord lock is a snap-in design made of durable, high impact nylon with a stainless steel wear guard incorporating a floating, shaft-type locking pin. The design provides a crash-proof safety feature that will lock the blinds automatically upon release of the lift cord.

Drum and cradles shall be low-friction thermoplastic and provided for each ladder.

Installation brackets shall be made of phosphate-treated steel with a urethane primer and polyester-baked enamel finish to match headrail. The design shall incorporate a hinged front cover.

Braided ladder shall be made of 100% polyester yarn, incorporating two extra strength rungs per ladder for slat support. Standard ladder spacing shall be 21.5mm.

Slats shall be 5000 Series cold-rolled aluminum containing the maximum allowable recycled content to produce a high strength and corrosion-resistant, flexible product. Slats shall be nominally 1" wide x .006" thick and processed to provide a smooth, hard, less porous surface with anti-static performance to repel dust. Slats shall be treated with a topcoat of polyester-baked enamel.

Bottomrail shall be completely enclosed tubular shape made of phosphate-treated steel for corrosion resistance and finished with a chrome-free sealer, low HAP urethane primer, and a topcoat of low HAP, polyester-baked enamel and shall measure .025" thick.

Options:

- .008" thick slat
- 20mm ladder spacing
- 22.5mm ladder spacing
- Perforated slat
- Tilt limiter
- Cord tilt
- Ring tilt
- Top-lock cord lock
- Ring pull
- 2-piece pocket bracket
- Turn clips for extruded pocket
- Extension brackets
- Hold-down brackets
- Cut-outs
- 2-slat valance
- Deluxe 2-slat valance
- Specialty shapes (arches, circles, and angles)