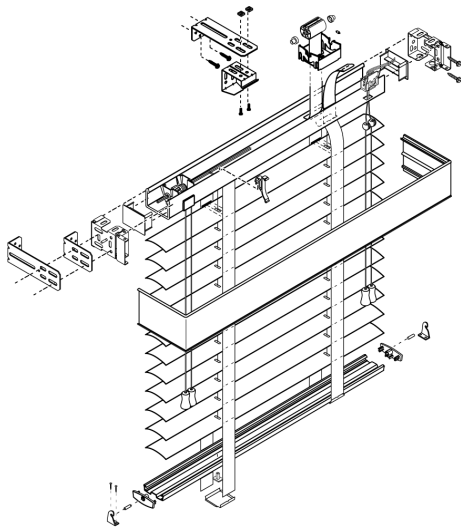


DATA SHEET

BALI® HERITAGE® 2" ALUMINUM BLINDS

Product Features



- SureClose™ headrail system
- Anti-static performance to repel dust
- Low HAP, low VOC paint process
- Enclosed bottomrail
- 1½" fabric tape option
- Cord tilt standard
- Motorized tilt only
- GREENGUARD Gold Certified
- Limited Lifetime Warranty



Product Specifications

SureClose™ Headrail shall be 1⁵/₈" high x 2¹/₄" wide x .022" thick U-shaped steel with 1/8" light-blocking lip on the bottom center line. The steel finishing process includes phosphate treatment for corrosion resistance, a chrome-free sealer, a low HAP urethane primer, and a topcoat of low HAP, polyester-baked enamel.

Cord Tilter shall be a snap-in component incorporating a worm and pulley of low-friction thermoplastic and a nylon gear. Standard tilt cords shall measure 1.8mm diameter.

Tilt rod shall be electro-zinc coated solid steel measuring ¼" square.

Cord lock shall be metal of a snap-in design incorporating a floating, shaft-type locking pin and shall incorporate a crash-proof safety feature that will lock blind automatically upon release of cord.

Drums shall be made of high strength thermoplastic, which securely anchors braided ladders.

Installation brackets shall be made of phosphate-treated steel with a urethane primer and polyester-baked enamel finish to match headrail. The design shall incorporate a hinged front cover.

Braided ladder shall be made of 100% polyester yarn, incorporating two extra strength rungs per ladder for slat support. Standard ladder spacing shall be 44mm.

Slats shall be 5000 Series cold-rolled aluminum containing the maximum allowable recycled content to produce a high strength and corrosion-resistant, flexible product. Slats shall be nominally 2" wide x .008" thick and processed to provide a smooth, hard, less porous surface with anti-static performance to repel dust. Slats shall be treated with a topcoat of polyester-baked enamel.

Bottomrail shall be C-shaped, 9/16" high x 2" wide x 0.40" thick anodized aluminum. It is fully enclosed with a dust cover slat and finished with a polyester-baked enamel to match headrail.

Options:

- 1½" fabric tapes
- Wand tilt
- Ring tilt
- Ring pull
- Extension brackets
- Hold-down brackets
- Cut-outs
- Deluxe valance
- Motorized tilt only